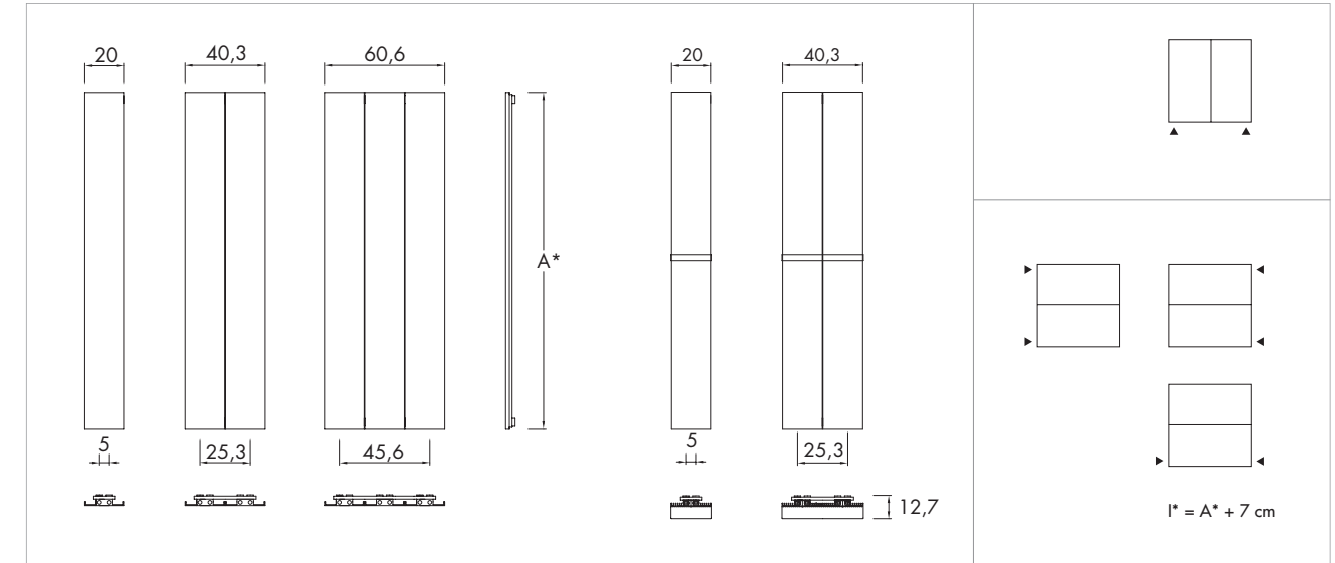
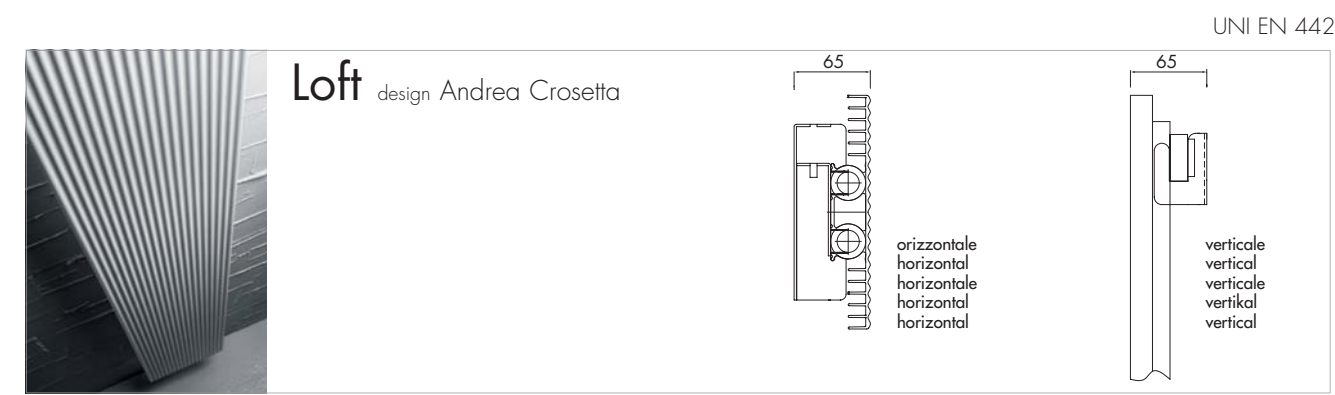


[Griffe]
Loft
Design Andrea Crosetta



A* cm	in	B* cm	in	I* cm	in	art*	BTU Δt 50°	watt Δt 50°
150.0	59.1	20.0	7.9	5.0	2.0	LFOOV15001B	1 147	336
150.0	59.1	40.3	15.9	25.3	10.0	LFOOV15002B	2 294	672
150.0	59.1	60.6	23.9	45.6	18.0	LFOOV15003B	3 440	1.008
170.0	66.9	20.0	7.9	5.0	2.0	LFOOV17001B	1 274	373
170.0	66.9	40.3	15.9	25.3	10.0	LFOOV17002B	2 547	746
170.0	66.9	60.6	23.9	45.6	18.0	LFOOV17003B	3 821	1 120
200.0	78.7	20.0	7.9	5.0	2.0	LFOOV20001B	1 498	439
200.0	78.7	40.3	15.9	25.3	10.0	LFOOV20002B	2 997	878
200.0	78.7	60.6	23.9	45.6	18.0	LFOOV20003B	4 495	1 317

art*	description
ACPO220LF	Portaserviette 22 cm / Towel bar 22 cm / Porte-serviettes 22 cm Handtuchhalter 22 cm / Porta toalla 22 cm
ACPO420LF	Portaserviette 42 cm / Towel bar 42 cm / Porte-serviettes 42 cm Handtuchhalter 42 cm / Porta toalla 42 cm

orizzontale / horizontal / horizontale / horizontal / horizontal	art*
CMRKITSUP00LF010	Kit fissaggio (LFOOV_18) / retainer kit (LFOOV_18) / kit de fixation (LFOOV_18) die Satzbelegung (LFOOV_18) / kit para ajuste (LFOOV_18)
CMRKITSUP00LF020	Kit fissaggio (LFOOV_28) / retainer kit (LFOOV_28) / kit de fixation (LFOOV_28) die Satzbelegung (LFOOV_28) / kit para ajuste (LFOOV_28)
CMRKITSUP00LF030	Kit fissaggio (LFOOV_38) / retainer kit (LFOOV_38) / kit de fixation (LFOOV_38) die Satzbelegung (LFOOV_38) / kit para ajuste (LFOOV_38)

A* = altezza / height / hauteur / Höhe / alto
B* = larghezza / width / largeur / Breite / ancho
I* = introrsa / pipe centres / distance entre départ et retour / Achsabstand / distancia entre las conexiones
E* = elettrico / electrical / électrique / eléctrica / ET* = elettrico termostato ambiente / thermostat / thermostat / der Thermostat / termostato

Ulteriori dettagli Further details Ulérieures détails Weitere Einzelheiten Otros detalles	Colori / colours / couleurs / Farbe / colores	Kcal = Watt x 0,860 BTU = Watt x 3,413
AVC0631_ AVC0602_	[BIAN] B standard T + 10% S + 20% S + 20% RAL non inclusi in tabella special Ral colours couleurs Ral spéciales RAL Farbe nicht in der Tabelle inbegriffen colores RAL especiales	Watt Δt 20° = Watt Δt 50° x 0,285 Watt Δt 30° = Watt Δt 50° x 0,497 Watt Δt 40° = Watt Δt 50° x 0,737 Watt Δt 60° = Watt Δt 50° x 1,283 P max = 6.5 bar

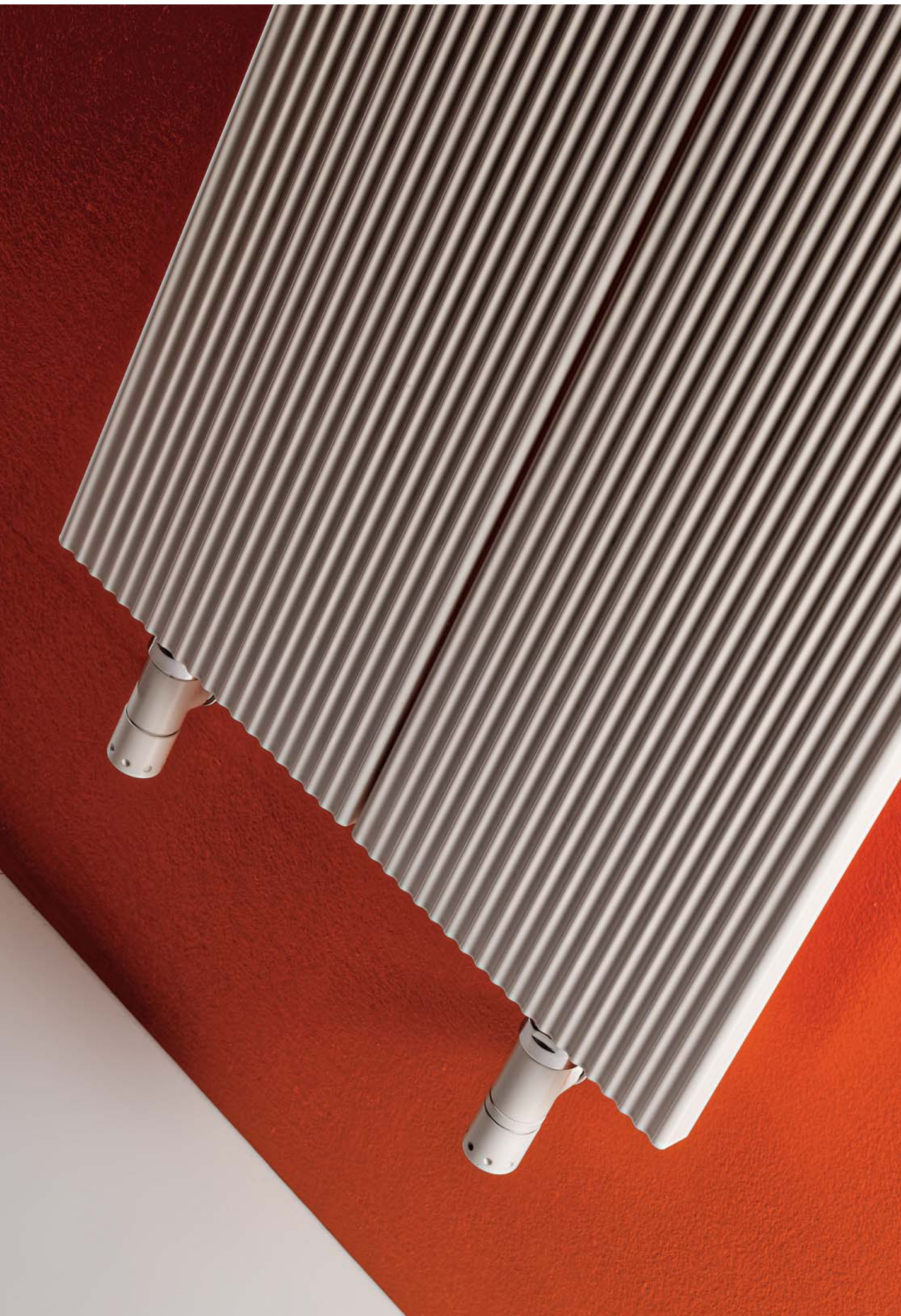


[Loft]
design Andrea Crosetta

AC

AN-TRAX IT





[Loft_bath]
design Andrea Crosetta



[Griffe]
Loft_bath
Design Andrea Crosetta