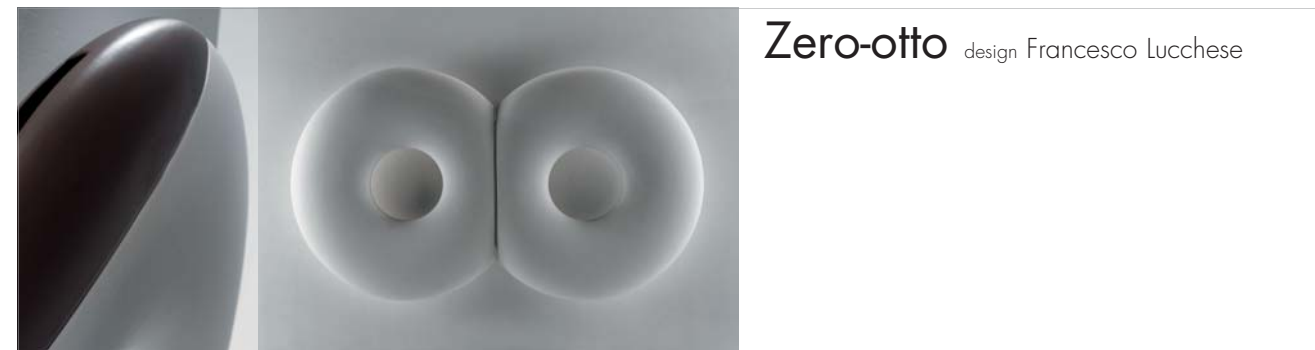
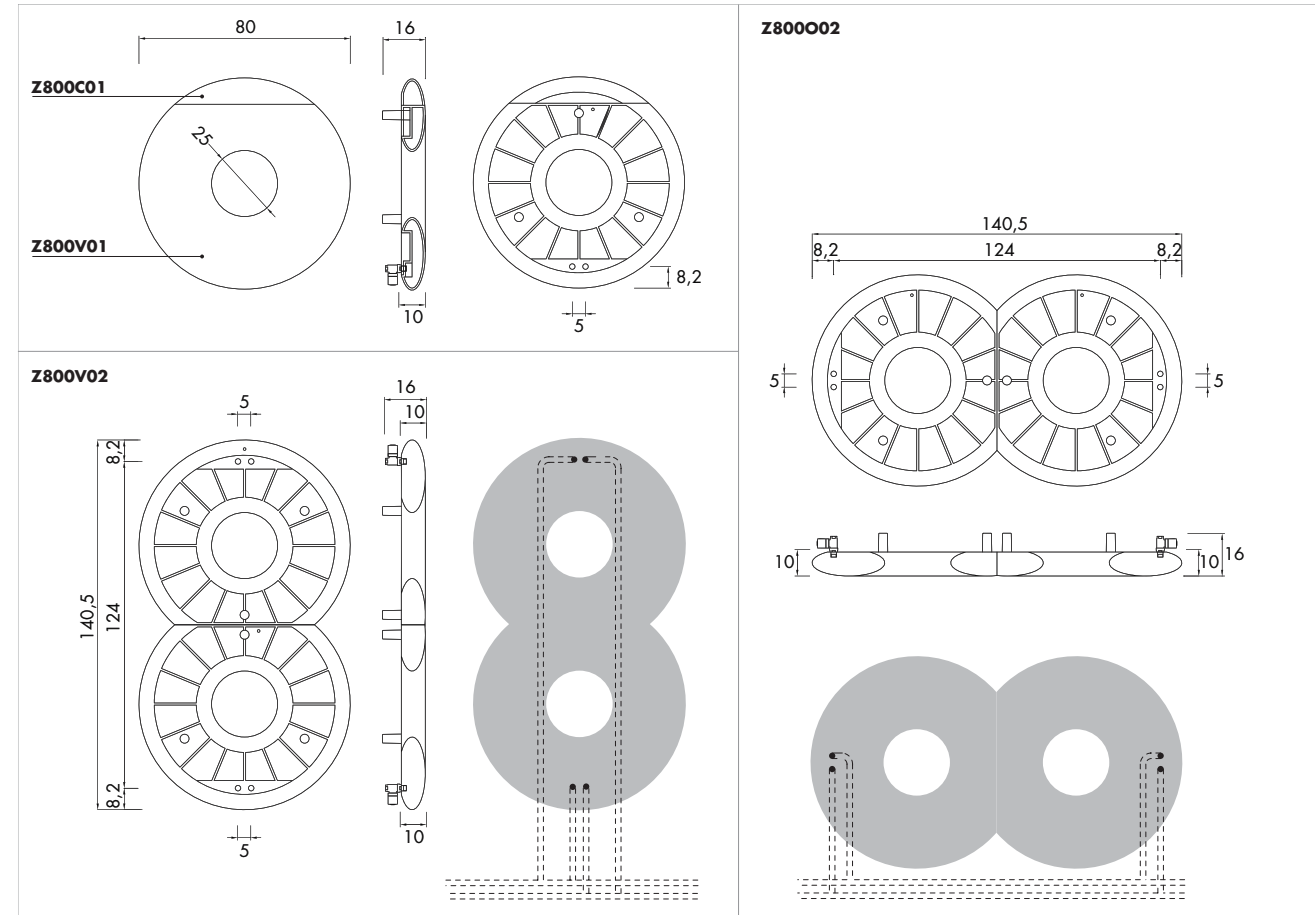




[Griffa]
Zero-otto
Design Francesco Lucchese



UNI EN 442



A* cm	in	B* cm	in	I* cm	in	art*	BTU Δt 50°	watt Δt 50°	
Zero									
80	31,5	80,0	31,5	5,0	2,0	Z800V01	1.874	549	
Otto									
140,5	55,3	80,0	31,5	5,0	2,0	Z800V02	3.747	1.098	
80	31,5	140,5	55,3	5,0	2,0	Z800O02	3.747	1.098	
dima / template / gabarit / Spurelehe / escantillon							Z8DIMA		

A* = altezza / height / hauteur / Höhe / alto B* = larghezza / width / largeur / Breite / ancho art* = articolo / model / modèle / Artikel / artículo
I* = pagina / page / page / Seite / página I* = interasse / pipe centres / distance entre depart et retour / Achsabstand / distancia entre las conexiones

<p>AVCI025 AVCI006</p>	<p>Ulteriori dettagli Further details Ulérieures détails Weitere Einzelheiten Otros detalles</p>	<p>Colori / colours / couleurs / Farbe / colores</p> <p>[BIAN] B standard T + 10% S + 20% S + 20%</p> <p>[RAL] RAL non inclusi in tabella special Ral colours couleurs Ral spéciales RAL Farbe nicht in der Tabelle inbegriffen colores RAL especiales</p>	<p>Kcal = Watt x 0,860 BTU = Watt x 3,413</p> <p>Watt Δt 20° = Watt Δt 50° x 0,285 Watt Δt 30° = Watt Δt 50° x 0,497 Watt Δt 40° = Watt Δt 50° x 0,737 Watt Δt 60° = Watt Δt 50° x 1,283</p> <p>P max = 3,5 bar</p>
	<p>Catalogue 08 - P* 148</p>		

Antrax IT srl - Via Boscalto, 40 - 31023 Resana TV - Italy - Tel. +39 0423 7174 - Fax +39 0423 717474 - www.antrax.it - antrax@antrax.it



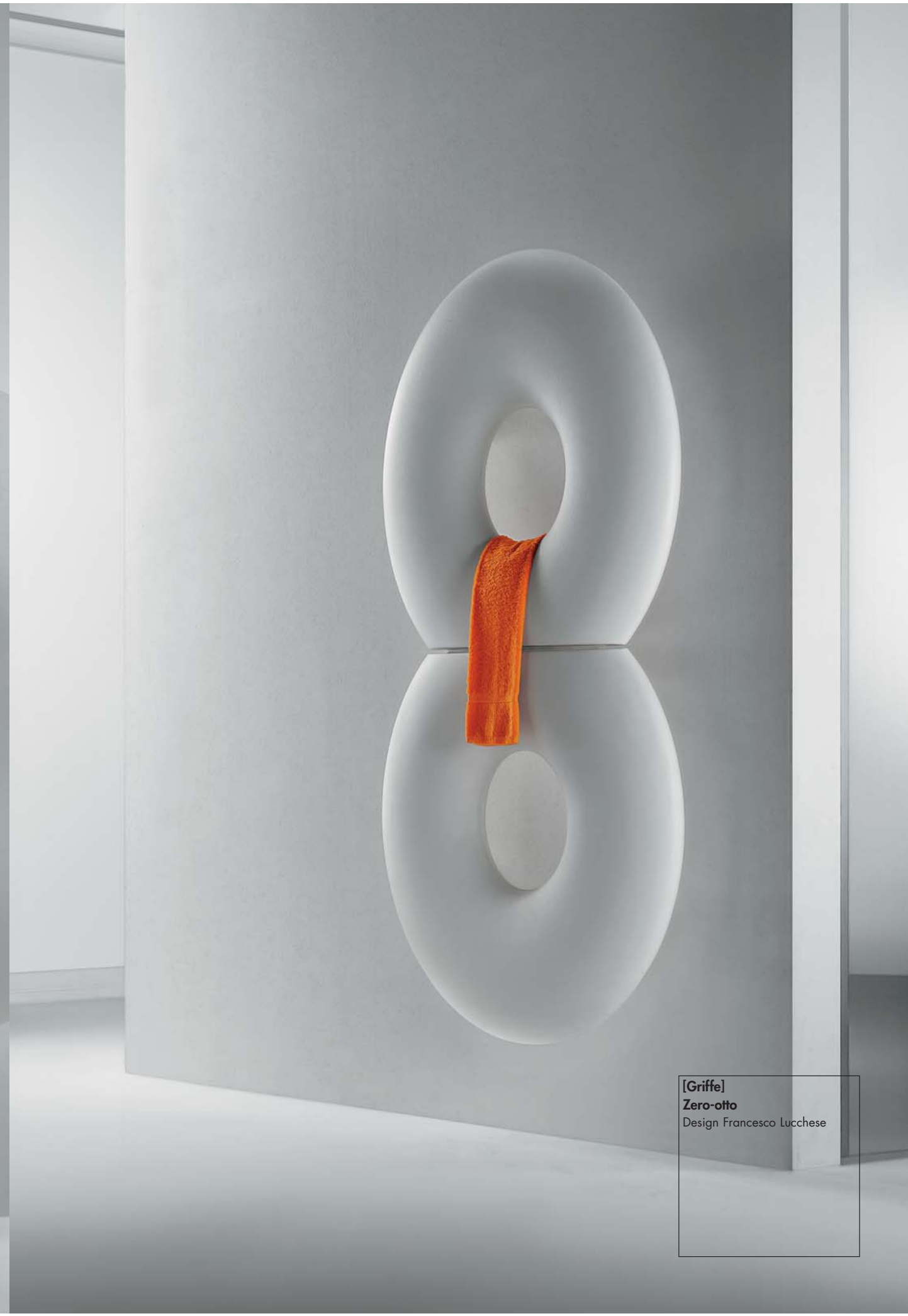
[Zero-otto]
design Francesco Lucchese

FL

AN-TRAX IT



[Zero-otto]
design Francesco Lucchese



[Griffe]
Zero-otto
Design Francesco Lucchese